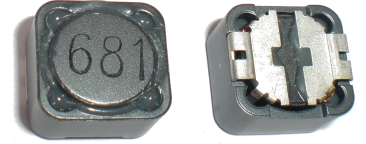


SHIELD POWER INDUCTOR CKCH Series

磁屏蔽电感 CKCH 系列

● FEATURES 特性

Various high power inductors are superior to be high saturation for surface mounting.
 具有高功率、高饱和电流、低电阻特性。

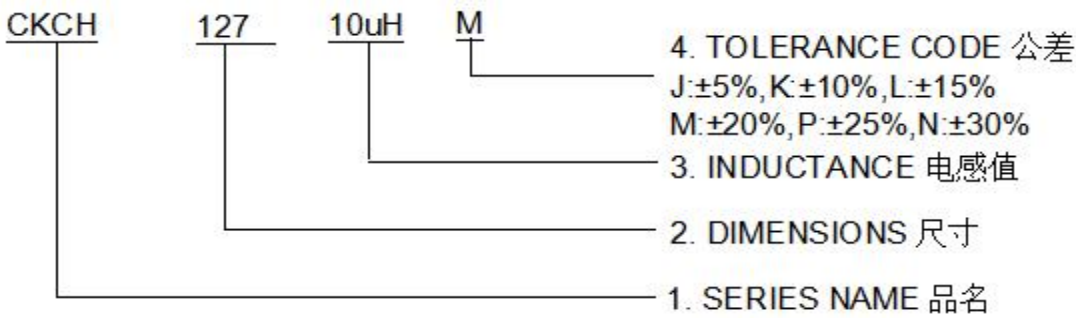


● APPLICATIONS 用途

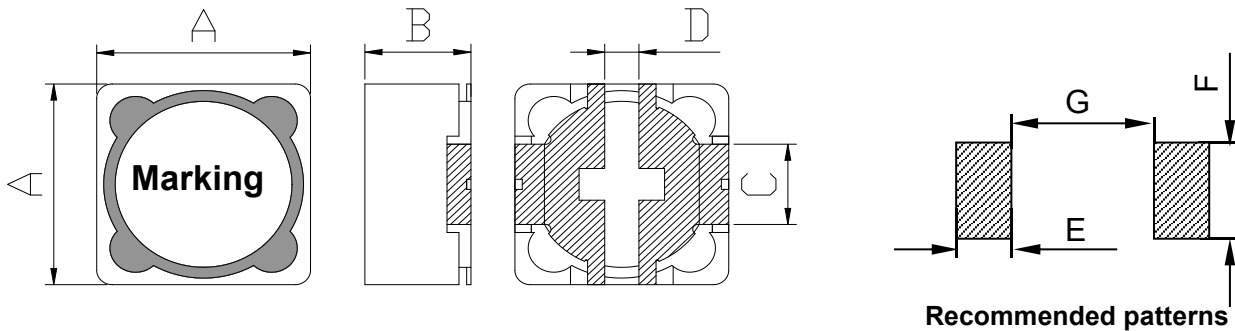
Power supply for TVR,OA equipment, audio, LED television, communication equipments, DC/DC converters, etc.

录影机, OA仪器, 音箱, LED电视, 通信设备, DC/DC转换器

● PART NUMBERING SYSTEM 品名系统



● SHAPES AND DIMENSIONS 外形尺寸 (Unit:mm)



TYPE(型号)	A (Max)	B (Max)	C (Ref.)	D (Ref.)	E	F	G
CKCH74	7.8	4.5	2.7	1.2	1.6	3.1	4.0
CKCH105	10.5	5.0	4.6	1.6	2.3	5.0	6.6
CKCH124	12.5	5.0	5.0	1.9	2.8	5.4	7.0
CKCH125	12.5	6.0	5.0	1.9	2.8	5.4	7.0
CKCH127	12.5	8.0	5.0	1.9	2.8	5.4	7.0
CKCH129	12.5	10.5	5.0	1.9	2.8	5.4	7.0
CKCH1510	15.5	11.5	5.0	1.9	2.8	5.2	9.7



● SPECIFICATION TABLE 规格特性表

CKCH74

PART NUMBER 品名	INDUCTANCE (uH) 电感值	DCR (Max) (Ω) 直流电阻	IDC (Max) (A) 额定电流
CKCH74-1.5uH/N	1.5±30%	0.028	3.50
CKCH74-2.2uH/N	2.2±30%	0.03	3.30
CKCH74-3.3uH/N	3.3±30%	0.045	3.00
CKCH74-4.7uH/M	4.7±20%	0.048	2.80
CKCH74-6.8uH/M	6.8±20%	0.054	2.70
CKCH74-10uH/M	10±20%	0.075	2.00
CKCH74-15uH/M	15±20%	0.10	1.80
CKCH74-22uH/M	22±20%	0.14	1.30
CKCH74-33uH/M	33±20%	0.19	1.20
CKCH74-47uH/M	47±20%	0.28	1.00
CKCH74-68uH/M	68±20%	0.40	0.69
CKCH74-100uH/M	100±20%	0.60	0.60
CKCH74-150uH/M	150±20%	0.75	0.58
CKCH74-220uH/M	220±20%	1.20	0.45
CKCH74-330uH/M	330±20%	1.90	0.35
CKCH74-470uH/M	470±20%	2.50	0.30
CKCH74-680uH/M	680±20%	3.50	0.26
CKCH74-820uH/M	820±20%	4.60	0.22
CKCH74-1mH/M	1000±20%	6.00	0.18

CKCH105

PART NUMBER 品名	INDUCTANCE (uH) 电感值	DCR (Max) (Ω) 直流电阻	IDC (Max) (A) 额定电流
CKCH105-4.7uH/N	4.7±30%	0.03	5.00
CKCH105-6.8uH/M	6.8±20%	0.045	4.20
CKCH105-10uH/M	10±20%	0.06	4.00
CKCH105-15uH/M	15±20%	0.07	3.50
CKCH105-22uH/M	22±20%	0.12	2.50
CKCH105-33uH/M	33±20%	0.155	2.00
CKCH105-47uHM	47±20%	0.22	1.30
CKCH105-68uHM	68±20%	0.30	1.20
CKCH105-100uH/M	100±20%	0.45	1.00
CKCH105-1mH/M	1000±20%	4.30	0.10

Remark: 1. All test data is reference to 25°C ambient.

2. Inductance Tested at 100kHz,0.25Vrms

3. IDC: DC current at which the inductance drops approximate 20% from its value without current;

4. Operating Temperature : -40°C ~ +125°C(Including self - temperature rise)

CKCH124

PART NUMBER 品名	INDUCTANCE (uH) 电感值	DCR (Max) (Ω) 直流电阻	IDC (Max) (A) 额定电流
CKCH124-4.7uH/N	4.7±30%	0.029	4.80
CKCH124-6.8uH/M	6.8±20%	0.03	4.50
CKCH124-8.2uH/M	8.2±20%	0.045	4.30
CKCH124-10uH/M	10±20%	0.048	3.50
CKCH124-15uH/M	15±20%	0.067	3.20
CKCH124-22uHM	22±20%	0.075	2.50
CKCH124-33uH/M	33±20%	0.11	2.00
CKCH124-47uH/M	47±20%	0.19	1.50
CKCH124-68uH/M	68±20%	0.24	1.20
CKCH124-100uH/M	100±20%	0.30	1.00
CKCH124-150uH/M	150±20%	0.55	0.95
CKCH124-220uH/M	220±20%	0.67	0.60
CKCH124-330uH/M	330±20%	1.10	0.58
CKCH124-470uH/M	470±20%	1.50	0.40
CKCH124-1.5mH/M	1500±20%	3.90	0.29
CKCH124-2mH/M	2000±20%	5.70	0.22

Remark: 1. All test data is reference to 25°C ambient.

2. Inductance Tested at 100kHz,0.25Vrms

3. IDC: DC current at which the inductance drops approximate 20% from its value without current;

4. Operating Temperature : -40°C ~ +125°C(Including self - temperature rise)

CKCH125

PART NUMBER 品名	INDUCTANCE (uH) 电感值	DCR (Max) (Ω) 直流电阻	IDC (Max) (A) 额定电流
CKCH125-2.2uH/N	2.2±30%	0.015	8.50
CKCH125-3.3uH/N	3.3±30%	0.019	8.00
CKCH125-4.7uH/M	4.7±20%	0.020	7.00
CKCH125-6.8uH/M	6.8±20%	0.024	6.50
CKCH125-10uH/M	10±20%	0.030	5.00
CKCH125-15uH/M	15±20%	0.045	4.50
CKCH125-22uH/M	22±20%	0.055	3.60
CKCH125-33uH/M	33±20%	0.080	2.60
CKCH125-47uH/M	47±20%	0.120	2.20
CKCH125-68uH/M	68±20%	0.153	1.95
CKCH125-82uH/M	82±20%	0.175	1.90
CKCH125-100uH/M	100±20%	0.245	1.80
CKCH125-150uH/M	150±20%	0.320	1.30
CKCH125-220uH/M	220±20%	0.450	1.00
CKCH125-330uH/M	330±20%	0.560	0.80
CKCH125-470uH/M	470±20%	0.850	0.60
CKCH125-560uH/M	560±20%	1.100	0.58
CKCH125-680uH/M	680±20%	1.250	0.50
CKCH125-820uH/M	820±20%	1.600	0.40
CKCH125-1mH/M	1000±20%	1.900	0.30
CKCH125-2mH/M	2000±20%	3.650	0.28

Remark: 1. All test data is reference to 25°C ambient.

2. Inductance Tested at 100kHz,0.25Vrms

3. IDC: DC current at which the inductance drops approximate 20% from its value without current;

4. Operating Temperature : -40°C ~ +125°C(Including self - temperature rise)

CKCH127

PART NUMBER 品名	INDUCTANCE (μ H) 电感值	DCR (Max) (Ω) 直流电阻	IDC (Max) (A) 额定电流
CKCH127-4.7 μ H/M	4.7 \pm 20%	0.025	7.00
CKCH127-6.8 μ H/M	6.8 \pm 20%	0.03	5.80
CKCH127-10 μ H/M-B62	10 \pm 20%	0.037	5.00
CKCH127-15 μ H/M	15 \pm 20%	0.04	4.50
CKCH127-22 μ H/M	22 \pm 20%	0.055	4.00
CKCH127-33 μ H/M	33 \pm 20%	0.065	3.00
CKCH127-47 μ H/M	47 \pm 20%	0.10	2.80
CKCH127-68 μ H/M	68 \pm 20%	0.148	2.50
CKCH127-82 μ H/M	82 \pm 20%	0.165	1.95
CKCH127-100 μ H/M	100 \pm 20%	0.21	1.80
CKCH127-120 μ H/M	120 \pm 20%	0.23	1.60
CKCH127-150 μ H/M	150 \pm 20%	0.28	1.50
CKCH127-220 μ H/M	220 \pm 20%	0.45	1.20
CKCH127-330 μ H/M	330 \pm 20%	0.636	1.00
CKCH127-470 μ H/M	470 \pm 20%	0.90	0.85
CKCH127-560 μ H/M	560 \pm 20%	1.27	0.70
CKCH127-680 μ H/M	680 \pm 20%	1.45	0.60
CKCH127-820 μ H/M	820 \pm 20%	1.70	0.50
CKCH127-1mH/M	1000 \pm 20%	2.10	0.48
CKCH127-2mH/M	2000 \pm 20%	4.00	0.45

Remark: 1. All test data is reference to 25 $^{\circ}$ C ambient.

2. Inductance Tested at 100kHz,0.25Vrms

3. IDC: DC current at which the inductance drops approximate 20% from its value without current;

4. Operating Temperature : -40 $^{\circ}$ C ~ +125 $^{\circ}$ C(Including self - temperature rise)

CKCH129

PART NUMBER 品名	INDUCTANCE (uH) 电感值	DCR (Max) (Ω) 直流电阻	IDC (Max) (A) 额定电流
CKCH129-4.7uH/M	4.7±20%	0.018	9.50
CKCH129-6.8uH/M	6.8±20%	0.023	9.00
CKCH129-10uH/M	10±20%	0.03	6.00
CKCH129-15uH/M	15±20%	0.035	5.50
CKCH129-22uH/M	22±20%	0.053	5.00
CKCH129-33uH/M	33±20%	0.07	4.50
CKCH129-47uH/M	47±20%	0.12	4.00
CKCH129-68uH/M	68±20%	0.145	3.00
CKCH129-100uH/M	100±20%	0.18	2.50
CKCH129-150uH/M	150±20%	0.31	2.00
CKCH129-220uH/M	220±20%	0.35	1.80
CKCH129-330uH/M	330±20%	0.48	1.60
CKCH129-470uH/M	470±20%	0.95	1.50
CKCH129-560uH/M	560±20%	1.20	1.40
CKCH129-820uH/M	820±20%	1.40	1.00
CKCH129-1mH/M	1000±20%	1.56	0.80
CKCH129-1.5mH/M	1500±20%	1.80	0.60
CKCH129-2mH/M	2000±20%	2.60	0.50
CKCH129-2.2mH/M	2200±20%	2.65	0.45
CKCH129-3mH/M	3000±20%	4.70	0.40

CKCH1510

PART NUMBER 品名	INDUCTANCE (uH) 电感值	DCR (Max) (Ω) 直流电阻	IDC (Max) (A) 额定电流
CKCH1510-10uH/M	10±20%	0.02	10.00
CKCH1510-22uH/M	22±20%	0.026	8.50
CKCH1510-33uH/M	33±30%	0.045	4.50
CKCH1510-47uH/M	47±30%	0.055	4.00
CKCH1510-68uH/M	68±20%	0.080	3.00
CKCH1510-100uH/M	100±20%	0.12	2.00
CKCH1510-150uH/M	150±20%	0.15	1.80

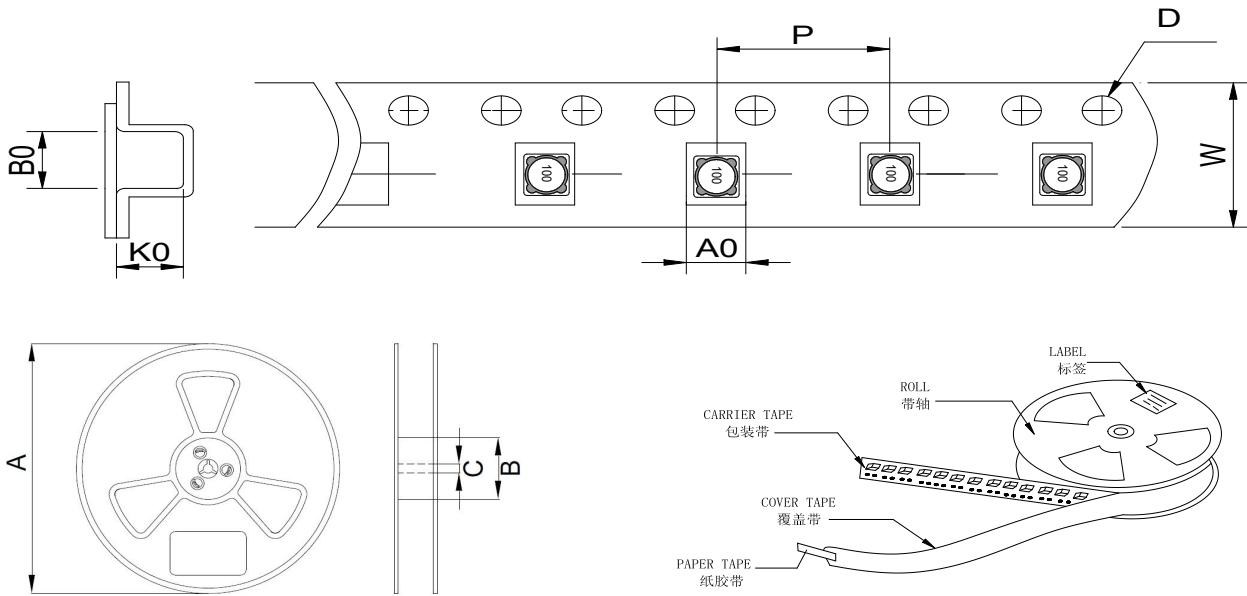
Remark: 1. All test data is reference to 25°C ambient.

2. Inductance Tested at 100kHz,0.25Vrms

3. IDC: DC current at which the inductance drops approximate 20% from its value without current;

4. Operating Temperature : -40°C ~ +125°C(Including self - temperature rise)

● **PACKAGING SPECIFICATION 包装规格**



TYPE(型号)	Tape Dimension 载带尺寸(mm)						Reel Dimension 卷盘尺寸 (mm)			Quantity (Pcs/Reel) 数量 (个/卷)
	W	A0	B0	K0	D	P	A	B	C	
CKCH74	16.0	7.8	7.8	4.8	1.5	12.0	330	100	13	1000
CKCH105	24.0	11.0	11.0	5.2	1.5	16.0	330	100	13	750
CKCH124	24.0	13.0	13.0	5.2	1.5	16.0	330	100	13	800
CKCH125	24.0	13.0	13.0	6.3	1.5	16.0	330	100	13	500
CKCH127	24.0	12.7	12.7	8.3	1.5	16.0	330	100	13	500
CKCH129	24.0	12.7	12.7	10.8	1.5	20.0	330	100	13	300
CKCH1510	24.0	15.3	15.3	11.8	1.5	20.0	330	100	13	200